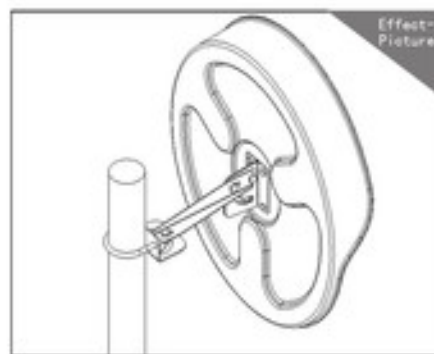


# D-a CONVEX MIRROR INSTALLATION MANUAL



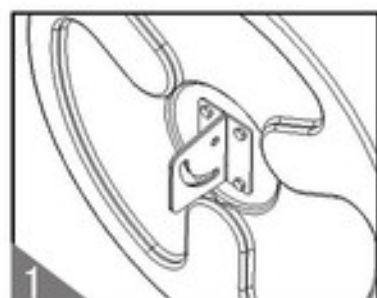
## Warm Suggestion

Before installation, the mirror surface is protected by a layer of film. Please remove it when you are sure that all of the parts have been installed well!

## Installation Steps

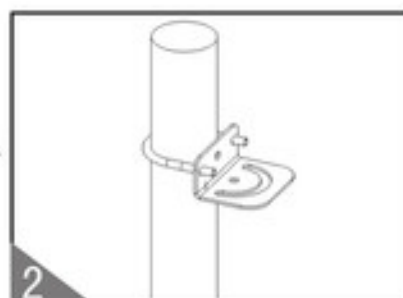
### Step 1:

Fix the Right and Left L'Parts to the back of mirror with bolts, assure that the arc hole is down.



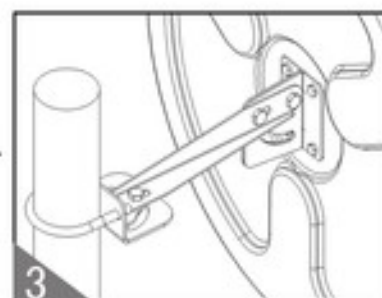
### Step 2:

Use U' Bolt to connect the Wall Part to the pole, then adjust the position and fasten them.



### Step 3:

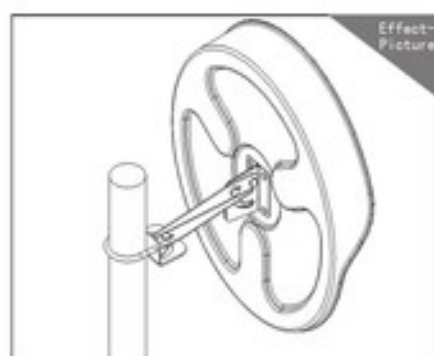
Join the Connect lever, Wall Part and L'Parts together with M8 Bolts, adjust the angle and position, then fasten them.



## Caution

(1)Periodical clean:After a term the mirror must be cleaned carefully by a soft cloth damped with water, then dry it with cotton or soft tissue;The PC mirror should be cleaned by water and then air-dry it spontaneously.  
(2)Precaution:Prohibit using any escharotic or ammoniate on the mirror surface. (3)The final product is standard.

# D-a CONVEX MIRROR INSTALLATION MANUAL



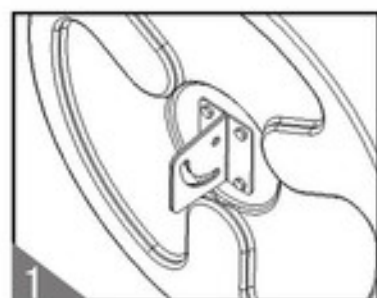
## Warm Suggestion

Before installation, the mirror surface is protected by a layer of film. Please remove it when you are sure that all of the parts have been installed well!

## Installation Steps

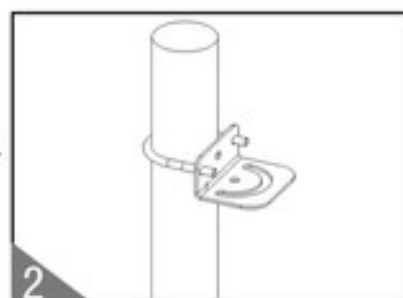
### Step 1:

Fix the Right and Left L'Parts to the back of mirror with bolts, assure that the arc hole is down.



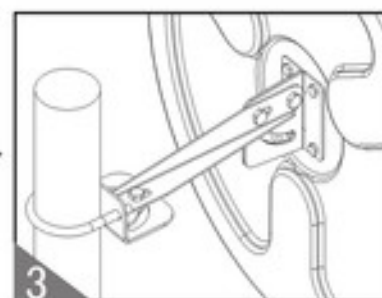
### Step 2:

Use U' Bolt to connect the Wall Part to the pole, then adjust the position and fasten them.



### Step 3:

Join the Connect lever, Wall Part and L'Parts together with M8 Bolts, adjust the angle and position, then fasten them.



## Caution

(1)Periodical clean:After a term the mirror must be cleaned carefully by a soft cloth damped with water, then dry it with cotton or soft tissue;The PC mirror should be cleaned by water and then air-dry it spontaneously.  
(2)Precaution:Prohibit using any escharotic or ammoniate on the mirror surface. (3)The final product is standard.